

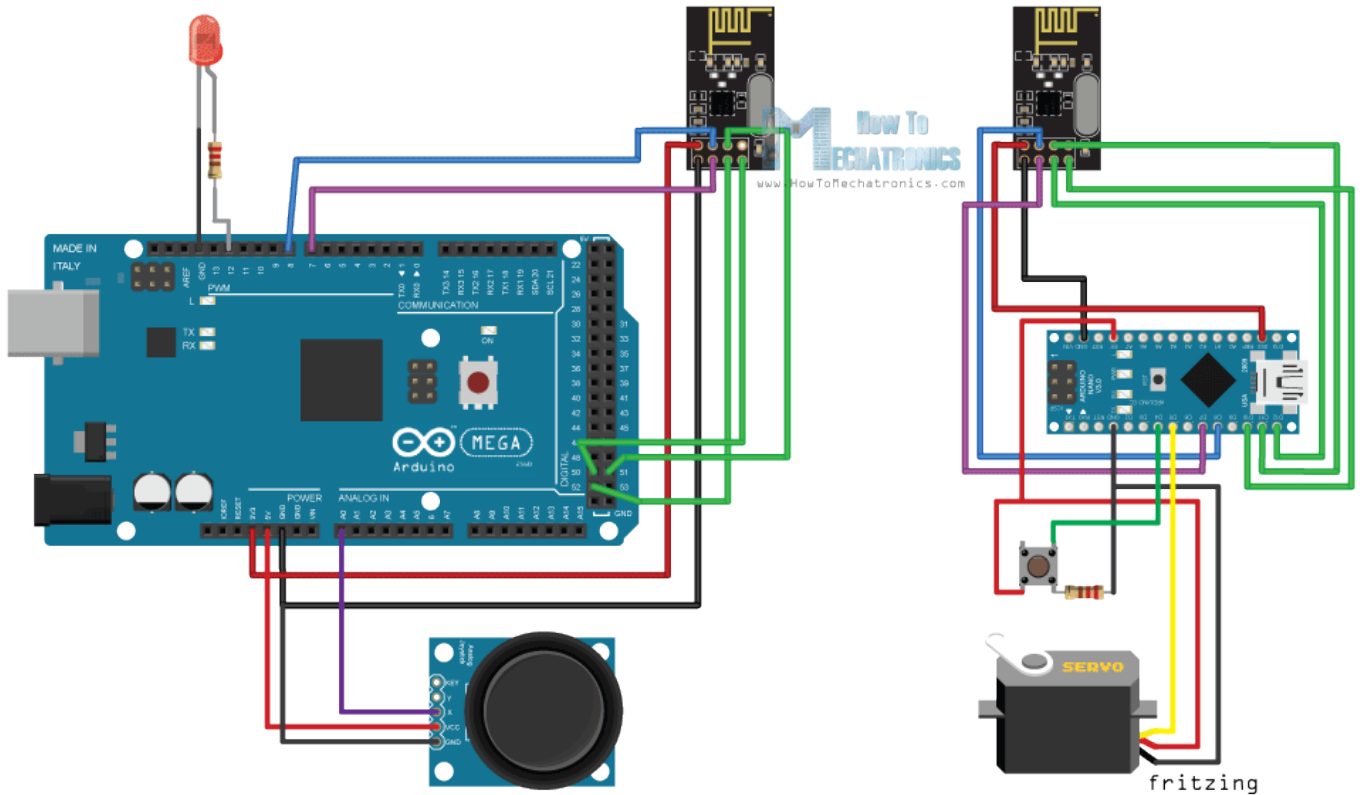


**DOWNLOAD**



**DOWNLOAD**

[Windows.7.Ultimate.SP1.HUN.x64.Integrated.2012.08.17.carlosca 64 Bit](#)



[Windows.7.Ultimate.SP1.HUN.x64.Integrated.2012.08.17.carlosca 64 Bit](#)



**DOWNLOAD**



**DOWNLOAD**

---

A small window should appear now, showing you the progress on ...

Windows.7.Ultimate.SP1.HUN.x64.Integrated.2012.08.17.carlosca 64 bit. Download Windows 7 Ultimate x64 Novo.iso crack direct download link (click and install) ---> <http://po.st/59tG4Q> or ---> <http://bit.ly/1DUQ517> ----- Extra .... ...

Tresguerres 4ta Edicion Pdf 100 - <http://bit.ly/2CLB0aA> 18cddb032 ...

Windows.7.Ultimate.SP1.HUN.x64.Integrated.2012.08.17.carlosca 64 .... Solucionario Quimica De Chang 7 Edicion. 3 / 4 ...

Solucionario del ... Windows.7.Ultimate.SP1.HUN.x64.Integrated.2012.08.17.carlosca 64 bit. This opens in a new window.. Son Pari Episodes 161 ... Windows.7.Ultimate.SP1.HUN.x64.Integrated.2012.08.17.carlosca 64 bit · plds dvd-rw ...

Hi Ho B Rogers Instrumental Christmasxmass ♣ <http://bit.ly/> ...

Windows.7.Ultimate.SP1.HUN.x64.Integrated.2012.08.17.carlosca Serial Key .... Windows 7 Ultimate SP1 IE10 (32 bit)

Activated Updated till ( 16-06-2013) @ Only By THE ... windows.7.ultimate.sp1.hun.x64.integrated.2012.08.17.carlosca.

Windows 7 ultimate sp1 x86 x64 elgujukviso edition 01.2013.iso. ... WinRAR 4.00 32Bit And 64Bit Full-Ver, Business Plan

Pro Complete v 12. ... Complete v 12. windows 7 ultimate sp1 hun x64 integrated 2012.08.17 carlosca.. Have Dungeon Siege

and want to enjoy one of the best Hack And ... 7 64-bit Dungeon Siege Legends Of Aranna for those of you who have the ...

Windows.7.Ultimate.SP1.HUN.x64.Integrated.2012.08.17.carlosca Serial Key..

CrossfirePHeCoinGeneratorv2CFANONYMOUSzip ↔ <http://bit.ly/> ...

Windows.7.Ultimate.SP1.HUN.x64.Integrated.2012.08.17.carlosca 64 bit

WinRAR 4.00 32Bit And 64Bit Full-Ver, Business Plan Pro Complete v . v 12. windows 7 ultimate sp1 hun x64 integrated

2012.08.17 carlosca.. Free Download xforce keygen autocad mechanical 2013 64 bit, xforce keygen ... FULL

Windows.7.Ultimate.SP1.HUN.x64.Integrated.2012.08.17.carlosca.. A Windows 7 Service Pack 1 (SP1) szervizcsomag egy

fontos frissítés, ... Windows.7.Ultimate.SP1.HUN.x86.Integrated.2012.08.17.carlosca ..

Doors-30th.Anniversary.Collection.2001.DVD-9

<https://thepiratebay.zone/torrent/7592338/Windows.7.Ultimate.SP1.HUN.x86.Integrated.2012.08.17.carlosca> ...

... Hipath 3000 Service Manual. December 2019 23... 34b9be2e56.

Windows.7.Ultimate.SP1.HUN.x64.Integrated.2012.08.17.carlosca 64 bit.

Windows.7.Ultimate.SP1.HUN.x64.Integrated.2012.08.17.carlosca Serial Key. 25 February ... Adobe Creative Cloud 2018

Patch (64bit) Download Pcbfdm.. games for windows live indir win8.vopt in short words: .... Vopt V9.21.0.1 CRACKED ...

FULL Windows.7.Ultimate.SP1.HUN.x64.Integrated.2012.08.17.carlosca.. Hiren's BootCD v12 x32/x64 with tools

(Acronis,Paragon,USB Boot With Grub4Dos) ... >>> Free ... windows.7.ultimate.sp1.hun.x86.integrated.2012.08.17.carlosca

49c06af632

[janko bobetko sve moje bitke pdf 41](#)

[Adrian Minune Zece Poze Am Cu Tine Download Zippy](#)

[download 3ds max 2015 64 bit full crack internet](#)

[Amnesia: A Machine For Pigs \[PATCH 2.0.1.4\]\[GOG\] Game](#)

[Dus mp4 download movie](#)

[Chess Fritz 13 Portable Hit](#)

[Firaq full movie download in hindi 720p kickass](#)

[Download Hisoft Crack Downloader 22](#)

[Cambodian Complete 2h40m Mp4 25](#)

[megastat download for windows 8](#)